

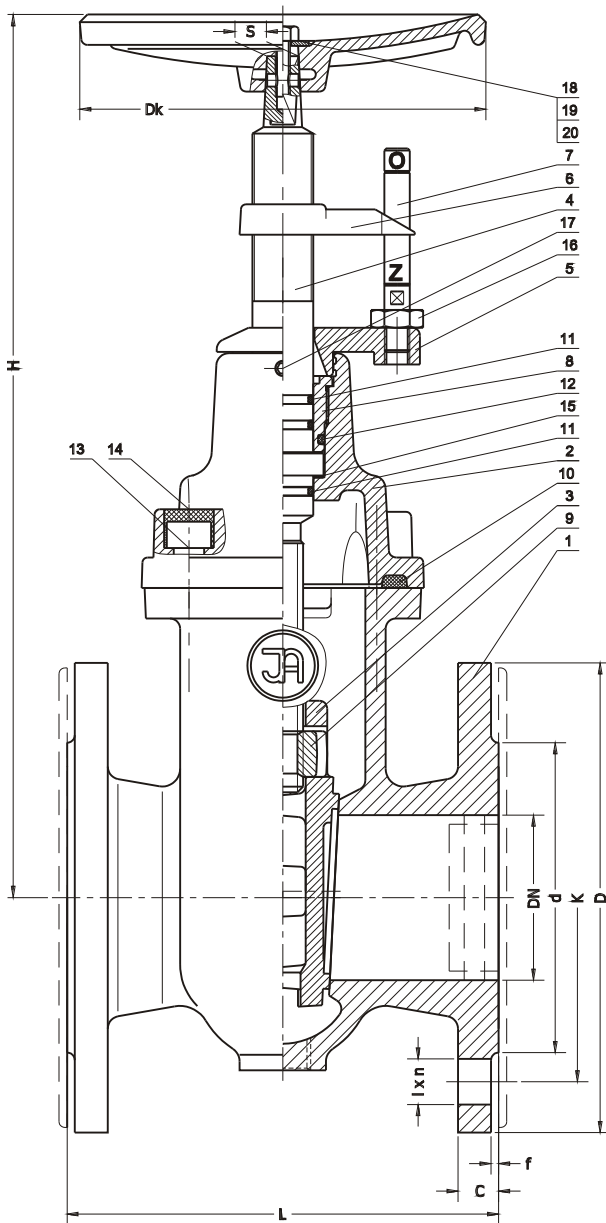
**Robinet cu sertar pana din bronz**

**Bronze gate valve flanged**

**Keilschieber aus Bronze mit Flanschen**



Date tehnice:	Technical data:	Technische Daten:
<p>Lungime de constructie PN-EN 558-1:2001 (F4)                      Flanse conform PN-EN 1092-2:1999                      Varianta si conditii de aprobare conform: PN-EN12266:2007                      Clasa de etansare - A                      Presiune maxima de lucru PN 16                      Temperatura maxima de lucru 120°C</p>	<p>Face to face acc. to - PN-EN 558-1:2001 (F4)                      Flanges acc. to PN-EN 1092-2:1999                      Version and terms of acceptance acc. to: PN-EN12266:2007                      Leakproofness class - A                      Working pressure max. PN 16                      Working temperature max. 120°C</p>	<p>Baulänge PN-EN 558-1:2001 (F4)                      Flanschanschluß PN-EN 1092-2:1999                      Ausführung und Abnahmebedingungen: PN-EN12266:2007                      Dichtheitsklasse - A                      Arbeitsdruck max. PN 16                      Arbeitstemperatur max. 120°C</p>
Caracteristici constructive:	Design features:	Baucharakteristik:
<p>Inelele de etansare ale tijeii (o-ring) pot fi schimbate fara a scoate robinetul din instalatie.                      Tijea robinetului este roluita din bronz.                      Piulita tijeii poate fi inlocuita.                      Dop de golire - la cerere.                      Varianta pentru apa de mare pana la max 45°C</p> <p><i>Avizat sanitar emis de PZH                      Certificat PRS</i></p>	<p>O-ring spindle's gaskets - "DRY THREAD" - replaceable under pressure.                      Spindle with rolled thread and bearing.                      Wedge with replaceable spindle nut.                      Drain plug - on request.                      Marine execution for hot water up to 45°C.</p> <p><i>Hygienic attest by PZH                      Certificated by PRS</i></p>	<p>O-Ring Spindeldichtung - "Trocken Gewinde" - Unterdruckwechselfähigkeit.                      Lageren Spindel mit Walzengewinde.                      Keil mit auswechselbar Spindelmutter.                      Putzkork - auf Wunsch.                      Meerwasserführung für Warmwasser bis 45°C .</p> <p><i>Hygienische Atest PZH                      Zertifikat PRS</i></p>
Domenii de utilizare:	Application:	Anwendung:
<p>Constructii navale, apa de mare, apa industriala, aer, abur, carburanti si alte medii neutre.</p>	<p>Ship building, sea water, industrial water, air, steam; fuel oil, and other neutral media.</p>	<p>Meerwasser, Industrialwasser, Luft, Dampf, Oil und andere neutrale Flüssigkeiten.</p>
Montaj:	Assembly:	Aufstellung:
<p>Montajul se face in pozitie orizontala sau verticalaj.</p>	<p>Assembly from Horizontal to Vertical position.</p>	<p>Aufstellung von Horizontalen bis Vertikalen Position.</p>



No.	Reper, Part, Teil	Material
1	Corp, Body, Gehäuse	B555 PN-EN 1982:2002, bronz, Bronze DIN 17660
2	Capac, Bonnet, Deckel	B555 PN-EN 1982:2002, bronz, Bronze DIN 17660
3	Sertar, Wedge, Keil	B555 PN-EN 1982:2002, bronz, Bronze DIN 17660
4	Tija, Spindle, Spindel	B555 PN-EN 1982:2002, bronz, Bronze DIN 17660
5	Conector, Connector, Konektor	B555 PN-EN 1982:2002, bronz, Bronze DIN 17660
6	Indicator de pozitie, Hand, Zeiger	Bronz CuSn5ZnPb bronz, Bronze DIN 2.109601
7	Tija indicator, Index, Index	Otel X17CrNi16-2 PN-EN 10088-1:1998 Steel, Stahl DIN 1.4057
8	Bucsa tija, Packing cork, Dichtungskork	B1032 PN-EN 1982:2002, bronz, Bronze DIN 17660
9	Piulita tija, Spindle nut, Spindelmutter	B1032 PN-EN 1982:2002, bronz, Bronze DIN 17660
10	Gamitura corp-capac, Bonnet gasket, Dichtung	Cauciuc, Rubber, Gummi EPDM, NBR
11-12	Inel etansare O-Ring, Seal O-Ring, Dicht-O-Ring	Cauciuc, Rubber, Gummi EPDM, NBR
13	Organe etansare, Screw, Schraube	PN-EN ISO 4762:2001 DIN 7984
14	Protectie organe asamblare, Screw stopper,	Parafina Paraffin
15	Inel opritor, Stopper, Blende	Polipropilena Polypropylene
16	Piulita, Nut, Mutter	PN-EN ISO 4032:2002 DIN 934
17	Surub, Set screw, Schraube	PN-84/M-82315 DIN 914
18	Roata manevra, Hand wheel, Handrad	EN-GJL-250, PN-EN 1561:2000 GG25 - DIN 1691,
19	Surub, Screw, Schraube	PN-EN ISO 4017:2001 DIN 931
20	Saiba, Washer, Unterlage	PN EN ISO 7093-1:2002

DN	L	H	d	D <sub>k</sub>	D	K PN 16 (10)	I PN 16 (10)	C	f	n PN 16 (10)	Filet Tr x p	S	Moment [Nxm]	Masa [kg]
[mm]											[mm]			
40*	140	290	88	160	150	110	18	18	3	4	Tr 16 x4	12	15	10.8
50	150	315	102	160	165	125	18	20	3	4	Tr 16 x4	12	17.5	13.7
65	170	345	122	160	185	145	18	20	3	4	Tr 16 x4	12	20.5	16.4
80	180	385	138	160	200	160	18	22	3	8 (4)	Tr 16 x4	12	24.5	20.3
100	190	435	158	200	220	180	18	24	3	8	Tr 20 x4	14	29.5	25.5
125	200	475	188	250	250	210	18	26	3	8	Tr 24 x5	17	29	32.8
150*	210	535	212	250	285	240	22	26	3	8	Tr 24 x5	17, 19	51.9	63.3
200*	230	620	268	250	340	295	22	26	3	12 (8)	Tr 24 x5	17, 24	82.6	98.6
250*	250	720	320	320	395	355 (350)	26 (22)	28	3	12	Tr 32 x6	19, 27	124.6	138.5

\*) - in curs de asimilare, in activate, im Einführung

Modalitate de comanda/ Order procedure/ Bestellung:  
Nr produs; DN; PN

Exemplu, Example, Beispiel:  
2510; DN100; Pn16